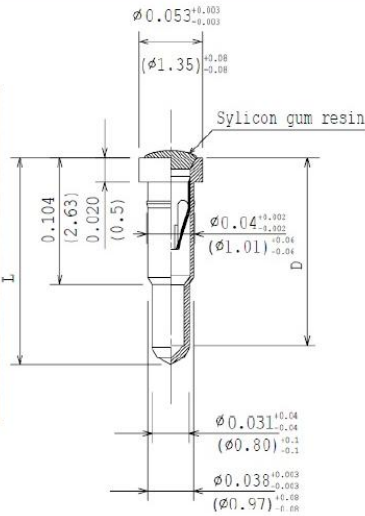


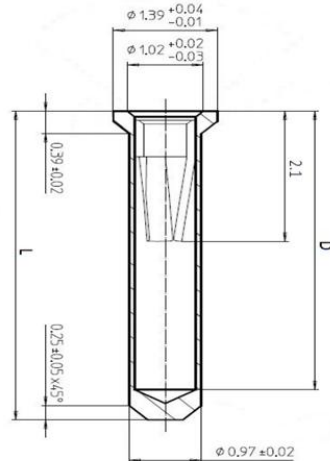
\*內外材質：鍍金；頂部內鑲矽膠。適用於：高頻特性產品。



Model Number (TYPE)		
SPIN-A-**		
	MATERIAL	FINISH
SHELL	Brass	Au
CONTACT	Beryllium Copper	Au
Type	L $\pm 0.004 (+0.1)$	D $\pm 0.004 (+0.1)$
SPIN-A-1.6	0.169 (4.3)	0.154 (3.9)
SPIN-A-3.2	0.197 (5.0)	0.161 (4.1)
SPIN-A-4.8	0.248 (6.3)	0.154 (3.9)
SPIN-A-6.5	0.295 (7.5)	0.154 (3.9)

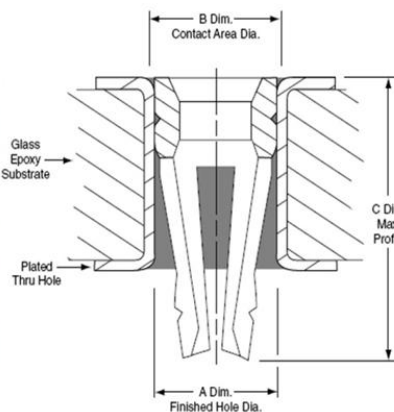
dimensions are measured in inches (millimeters)

\*內外材質：鍍錫。適用於：低頻產品。



Model Number (TYPE)		
01412 / 01418 / 01650		
Type	L $\pm 0.05$ mm	D $\pm 0.05$ mm
01412	3.45 mm	3.15 mm
01418	4.27 mm	3.75 mm
01650	6.50 mm	5.98 mm

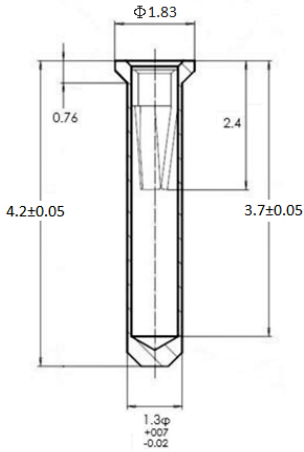
\*免焊系列



Type	8134-HC-5P2 (Gold)
	8134-HC-5P3 (Tin/Lead)
Recommended Lead Size	Rectangular Lead .011x.018 $\pm 0.002$ (0.28x0.46 $\pm 0.05$ ) Or Round Lead .016-.021 (0.406-0.553) Diameter
Recommended Primary Drill Size	.0453 (1.15)
A Dim. Finished Plated-Thru Hole Size	.041 $\pm 0.002$ (1.04 $\pm 0.05$ )
B Dim. Contact Diameter	.044 $\pm 0.0005$ (1.12 $\pm 0.01$ )
C Dim. Maximum Profile	0.1 (2.54)
Board Thickness	0.030 (0.75) Minimum
Plated-Thru Hole Finish	.0003-.0005 (0.0076-0.0127) Electro-deposited Tin/Lead over .001 (0.0254) Minimum Thick Electro Deposited Copper Plate

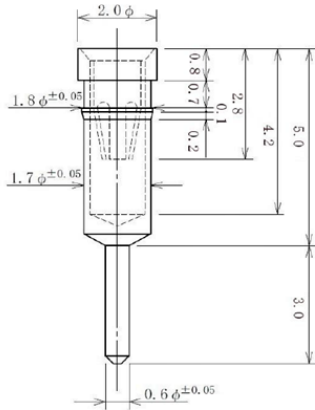
**\*寬孔徑系列：適合Φ0.45~Φ1.0**

**O1417**



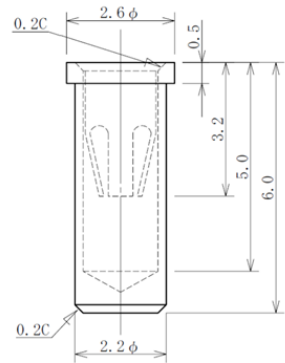
Mating pin diameter range: Φ0.45-Φ0.65

**O1461**



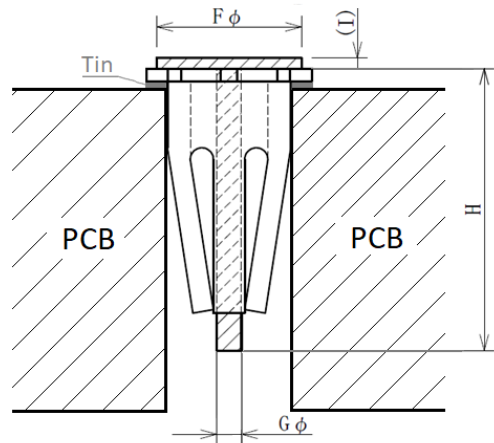
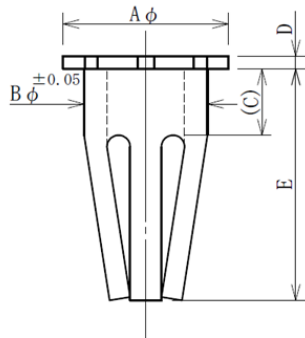
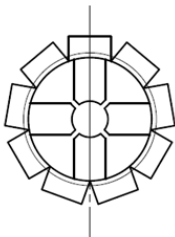
Mating pin diameter range: Φ0.6-Φ0.8

**O1472**



Mating pin diameter range: Φ0.8-Φ1.0

**\*表面安裝系列：正面表貼焊錫，適合自動化生產**



P/N	A Φ	B Φ	(C)	D	E	F Φ	G Φ	H	(I)	Mating pin diameter range:
01405 (L)	1.50	1.12	0.6	0.12	2.1	1.3	0.45	2.9	0.18	Φ0.45-Φ0.60
01405 (H)	1.50	1.12	0.8	0.18	2.1	1.3	0.45	2.9	0.18	Φ0.40-Φ0.60
01407 (L)	1.85	1.32	0.6	0.14	2.5	1.6	0.6	3.4	0.15	Φ0.60-Φ0.80
01407 (H)	1.85	1.32	1.0	0.18	2.5	1.6	0.6	3.4	0.15	Φ0.60-Φ0.80
01409 (L)	2.20	1.63	0.6	0.14	3.0	2.0	0.8	4.0	0.25	Φ0.80-Φ1.00
01409 (H)	2.20	1.63	1.2	0.18	3.0	2.0	0.8	4.0	0.25	Φ0.80-Φ1.00